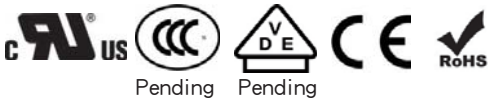


# F13S1

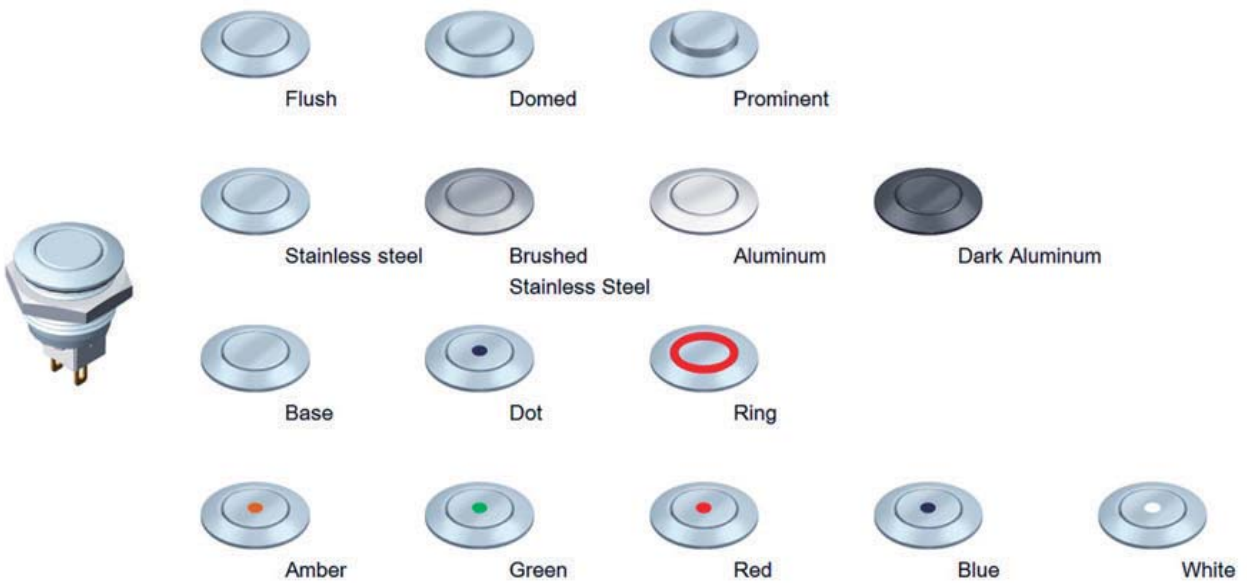


- For a mounting hole diameter of 16 mm
- Contact blocks with gold plated contacts
- Degree of Protection. IP67
- Three different top type; Flush, Prominent or Domed



Technical data	
Rated Voltage	48V DC
Rated Current	100mA
Dielectric Strength	Between live part and ground: 2,000V AC, 1 min. Between terminals of the same poles: 1,000V AC, 1 min.
Contact Resistance	50 mΩ maximum (initial value)
Insulation Resistance	100 MΩ minimum (500V DC)
Operating Humidity	45 to 85% RH (no condensation)
Storage Temperature	- 30 to +70°C (no freezing)
Operating Temperature	- 25 to +50°C (no freezing)
Vibration Resistance	Operating extremes/Damage limits: 5 to 55 Hz, amplitude 0.5 mm
Shock Resistance	Damage limits: 500 m/s <sup>2</sup> Operating extremes: 200 m/s <sup>2</sup>
Mechanical Life	Momentary: 1,000,000 Maintained: 250,000
Electrical Life	50,000
Degree of Protection	IP 67
Terminal Style	Solder terminal
Weight (approx.)	11/7g (Stainless Steel/Aluminum)

## Selection diagram



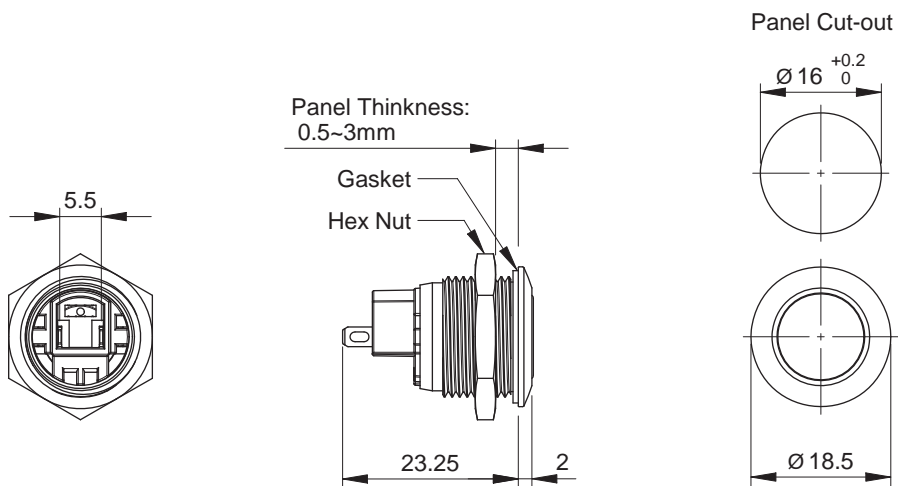
## F13S1 Vandal Resistant Switch

F13S1 Flush Vandal Resistant Switch



Operation	Contacts	Type No.	LED Voltage	▲ LED Color Code	▼ Material/Finish
Momentary	1NO	F13S1-1210NF ▼ 000	-	-	S:Stainless Steel P:Brushed Stainless Steel A:Aluminum B:Dark Aluminum
Maintained		F13S1-2210NF ▼ 000			

### ■ Dimensions



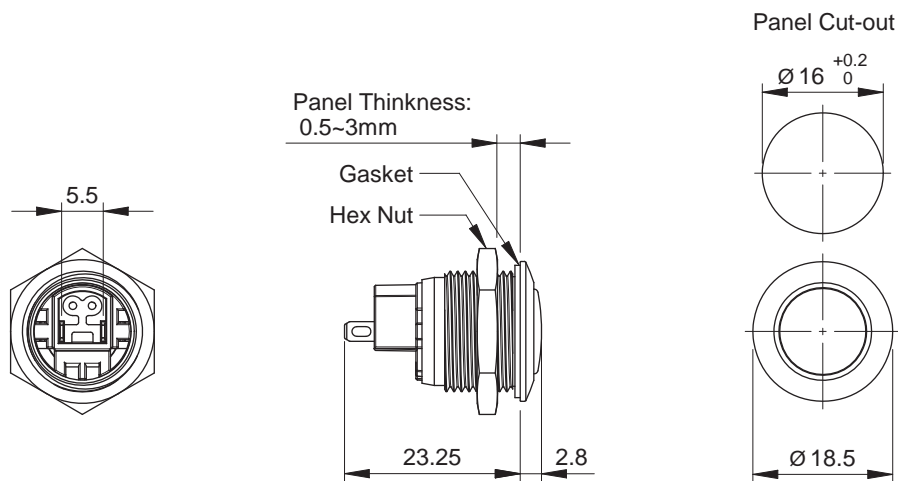
## F13S1 Vandal Resistant Switch

F13S1 Domed Vandal Resistant Switch



Operation	Contacts	Type No.	LED Voltage	▲ LED Color Code	▼ Material/Finish
Momentary	1NO	F13S1-1210ND ▼ 000	-	-	S:Stainless Steel P:Brushed Stainless Steel A:Aluminum B:Dark Aluminum
Maintained		F13S1-2210ND ▼ 000			

### ■ Dimensions



# Vandal Resistant Switch

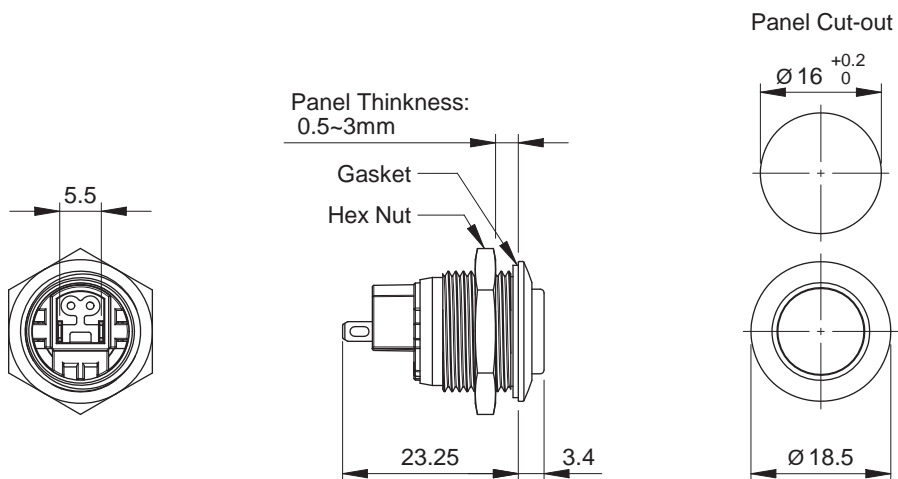
## F13S1 Vandal Resistant Switch

F13S1 Prominent Vandal Resistant Switch



Operation	Contacts	Type No.	LED Voltage	▲ LED Color Code	▼ Material/Finish
Momentary	1NO	F13S1-1210NP ▼ 000	-	-	S:Stainless Steel P:Brushed Stainless Steel A:Aluminum B:Dark Aluminum
Maintained		F13S1-2210NP ▼ 000			

### ■ Dimensions



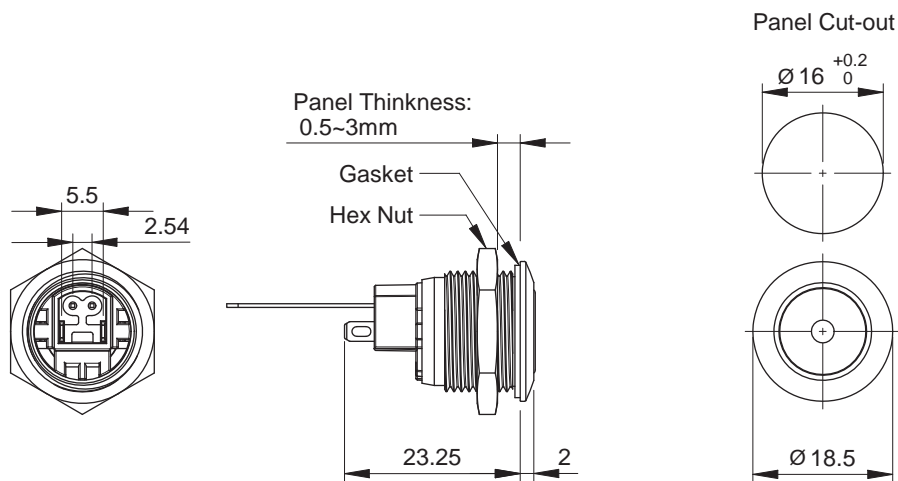
## F13S1 Illuminated Vandal Resistant Switch

F13S1 Flush Illuminated Vandal Resistant Switch-Dot



Operation	Contacts	Type No.	LED Voltage	▲ LED Color Code	▼ Material/Finish
Momentary	1NO	F13S1-1212 ▲ F ▼ 001	6V	A: Amber G: Green R: Red B: Blue W: White	S:Stainless Steel P:Brushed Stainless Steel A:Aluminum B:Dark Aluminum
		F13S1-1213 ▲ F ▼ 001	12V		
		-	-		
Maintained		F13S1-2212 ▲ F ▼ 001	6V		
		F13S1-2213 ▲ F ▼ 001	12V		
		-	-		

### ■ Dimensions



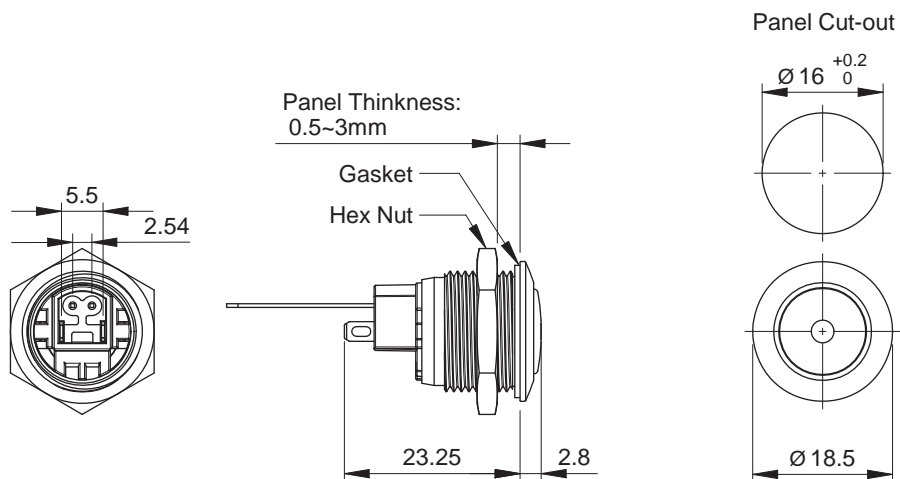
## F13S1 Illuminated Vandal Resistant Switch

F13S1 Domed Illuminated Vandal Resistant Switch-Dot



Operation	Contacts	Type No.	LED Voltage	▲ LED Color Code	▼ Material/Finish
Momentary	1NO	F13S1-1212 ▲ D ▼ 001	6V	A: Amber G: Green R: Red B: Blue W: White	S:Stainless Steel P:Brushed Stainless Steel A:Aluminum B:Dark Aluminum
		F13S1-1213 ▲ D ▼ 001	12V		
		-	-		
Maintained		F13S1-2212 ▲ D ▼ 001	6V		
		F13S1-2213 ▲ D ▼ 001	12V		
		-	-		

### ■ Dimensions



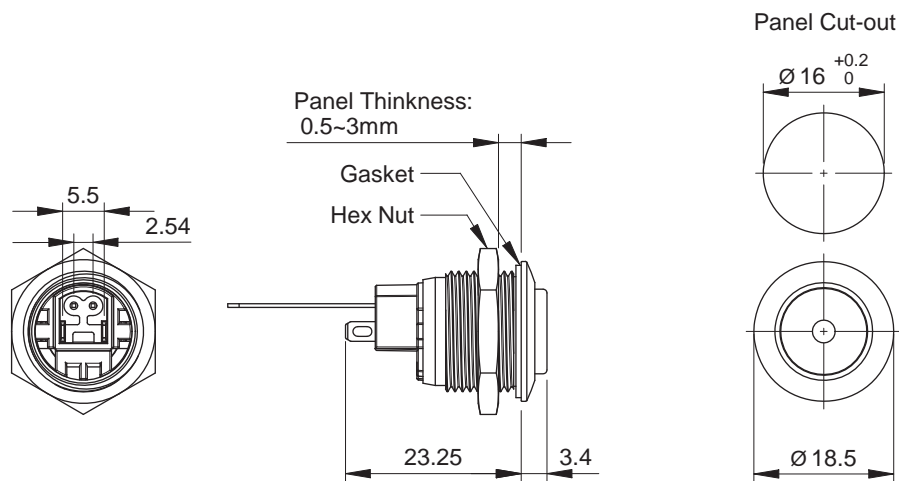
## F13S1 Illuminated Vandal Resistant Switch

F13S1 Prominent Illuminated Vandal Resistant Switch-Dot



Operation	Contacts	Type No.	LED Voltage	▲ LED Color Code	▼ Material/Finish
Momentary	1NO	F13S1-1212 ▲ P ▼ 001	6V	A: Amber G: Green R: Red B: Blue W: White	S:Stainless Steel P:Brushed Stainless Steel A:Aluminum B:Dark Aluminum
		F13S1-1213 ▲ P ▼ 001	12V		
		-	-		
Maintained		F13S1-2212 ▲ P ▼ 001	6V		
		F13S1-2213 ▲ P ▼ 001	12V		
		-	-		

### ■ Dimensions



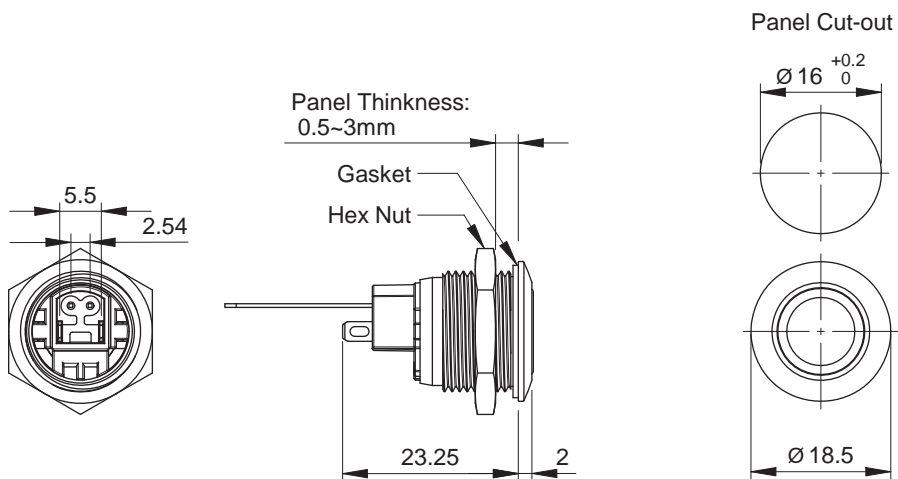
## F13S1 Illuminated Vandal Resistant Switch

F13S1 Flush Illuminated Vandal Resistant Switch-Ring



Operation	Contacts	Type No.	LED Voltage	▲ LED Color Code	▼ Material/Finish
Momentary	1NO	F13S1-1212 ▲ F ▼ 002	6V	A: Amber G: Green R: Red B: Blue W: White	S:Stainless Steel P:Brushed Stainless Steel A:Aluminum B:Dark Aluminum
		F13S1-1213 ▲ F ▼ 002	12V		
		-	-		
Maintained		F13S1-2212 ▲ F ▼ 002	6V		
		F13S1-2213 ▲ F ▼ 002	12V		
		-	-		

### Dimensions





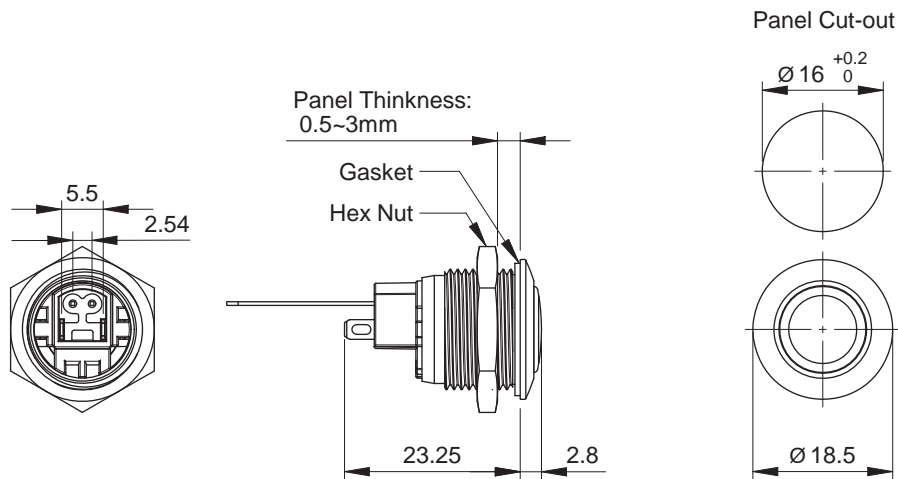
## F13S1 Illuminated Vandal Resistant Switch

F13S1 Domed Illuminated Vandal Resistant Switch-Ring



Operation	Contacts	Type No.	LED Voltage	▲ LED Color Code	▼ Material/Finish
Momentary	1NO	F13S1-1212 ▲ D ▼ 002	6V	A: Amber G: Green R: Red B: Blue W: White	S:Stainless Steel P:Brushed Stainless Steel A:Aluminum B:Dark Aluminum
		F13S1-1213 ▲ D ▼ 002	12V		
		-	-		
Maintained		F13S1-2212 ▲ D ▼ 002	6V		
		F13S1-2213 ▲ D ▼ 002	12V		
		-	-		

### ■ Dimensions



## F13S1 Illuminated Vandal Resistant Switch

F13S1 Prominent Illuminated Vandal Resistant Switch-Ring



Operation	Contacts	Type No.	LED Voltage	▲ LED Color Code	▼ Material/Finish
Momentary	1NO	F13S1-1212 ▲ P ▼ 002	6V	A: Amber G: Green R: Red B: Blue W: White	S:Stainless Steel P:Brushed Stainless Steel A:Aluminum B:Dark Aluminum
		F13S1-1213 ▲ P ▼ 002	12V		
		-	-		
Maintained		F13S1-2212 ▲ P ▼ 002	6V		
		F13S1-2213 ▲ P ▼ 002	12V		
		-	-		

### ■ Dimensions

